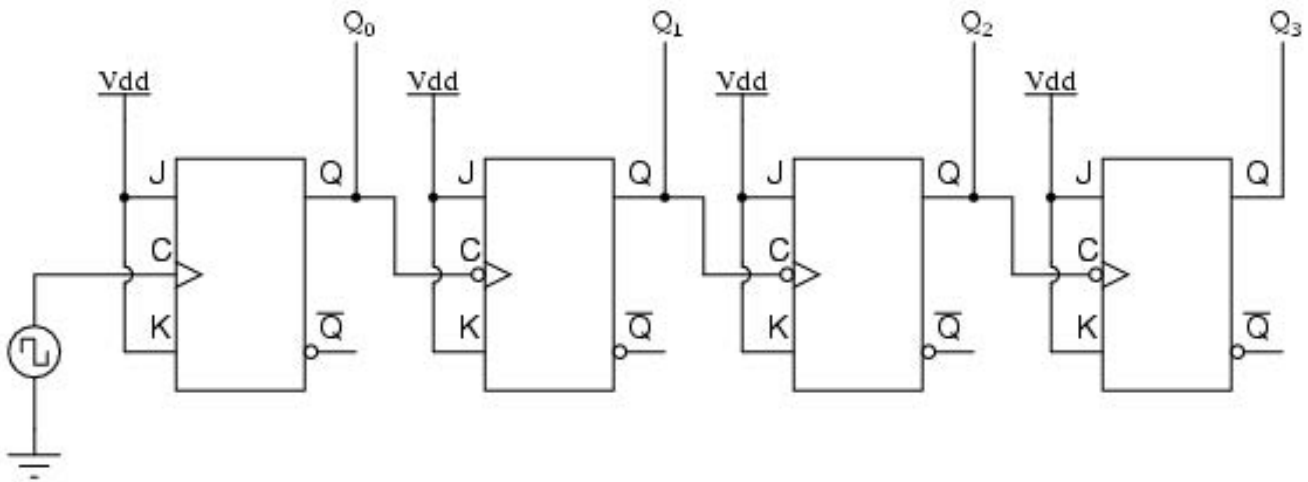


Experiment 8

A four-bit "up" counter



Experimental Procedure:

1) Design an asynchronous 4-bit up counter with JK flip-flops.

Optional: Build an oscillator with a 7414 Schmitt Trigger Inverter to use as a clock in your design (ref: Clock.pdf)