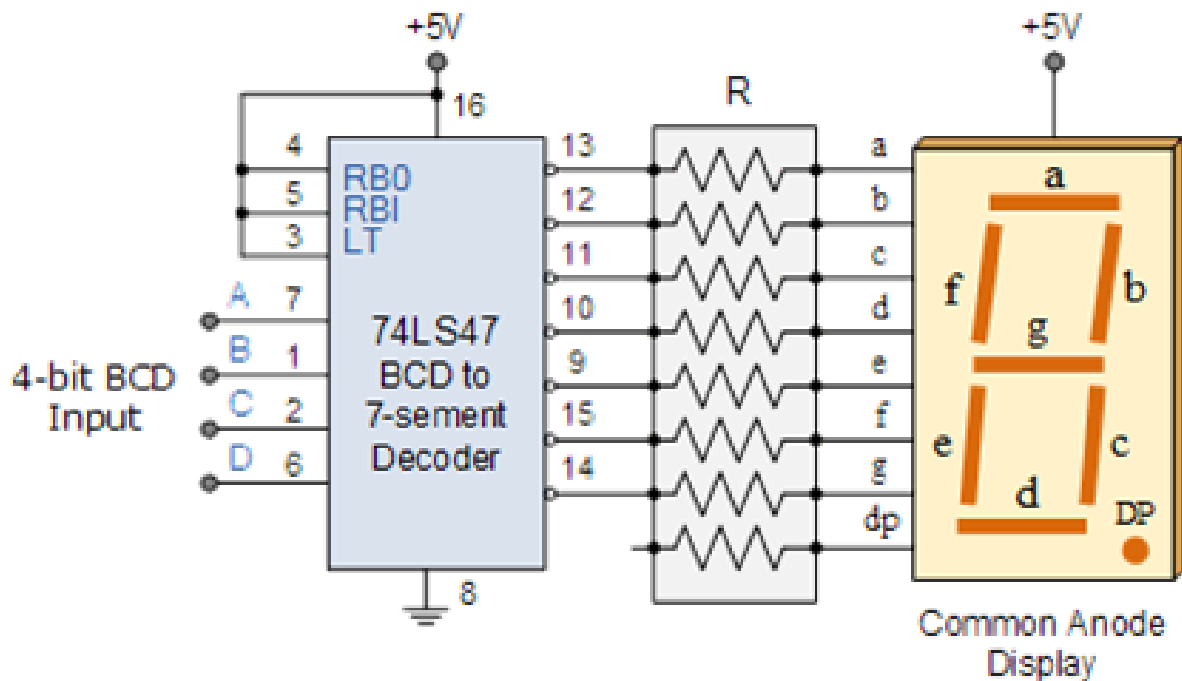
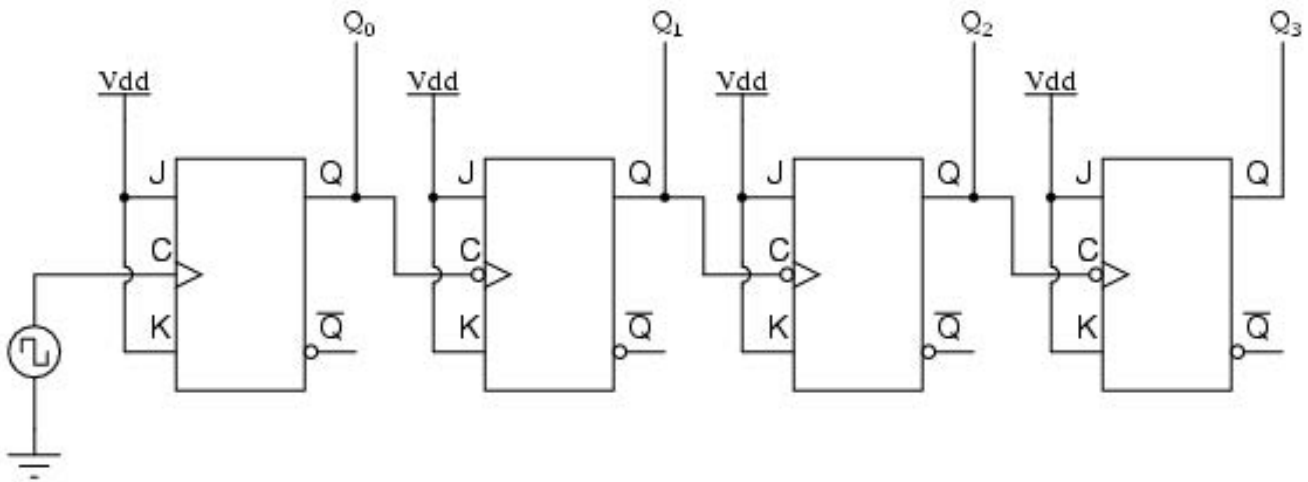


## Experiment 9

*A four-bit "up" counter*



### Experimental Procedure:

- 1) Design an asynchronous 4-bit up counter (including clock) with JK flip-flops and show on 7-segment display.